



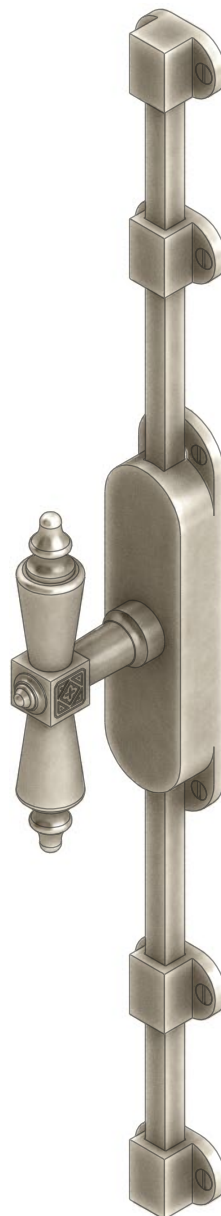
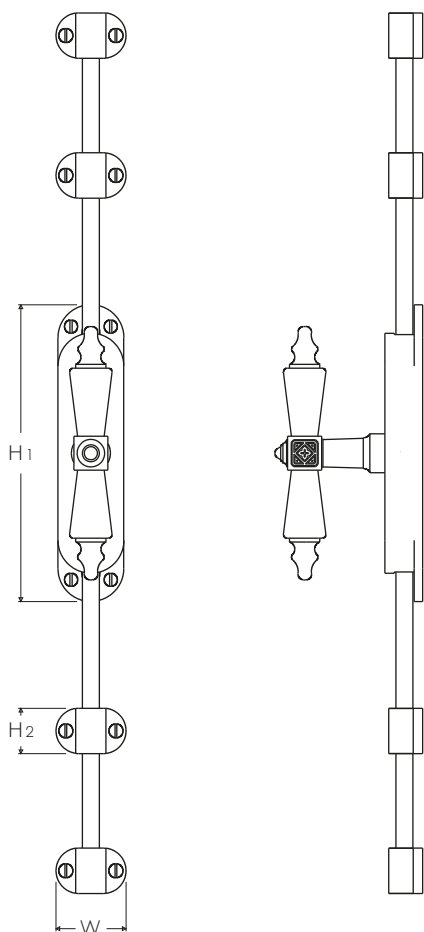
ATELIER BONOMI

Cremonese Aste Esterne Serie Castle - 251HT Castle Series Cremona Bolt Set - 251HT

Dimensioni
Dimensions

H1	H2	W
157	24	37

Dimensioni in millimetri
Dimensions given in millimeters



Fornita con 2 aste (1250mm), 4 passanti, 2 finali e viti legno in finitura coordinata.
Disponibile in tutte le finiture standard.

Dimensioni e finiture su misura disponibili su richiesta.

Regularly furnished with 2 rods (1250mm), 4 guides, 2 strikes and wood screws in matching finish.
Additional sizes available by special order. Available in standard and custom finishes.